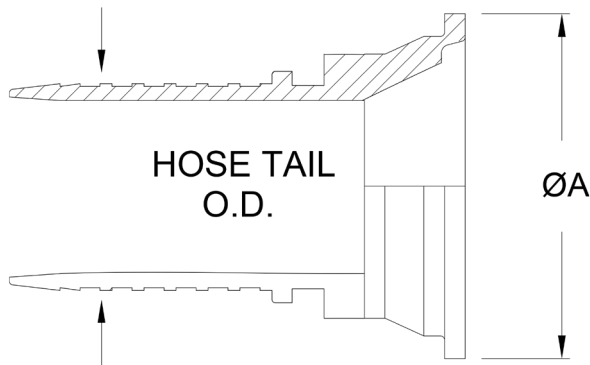


# RJT (Round Joint Thread)

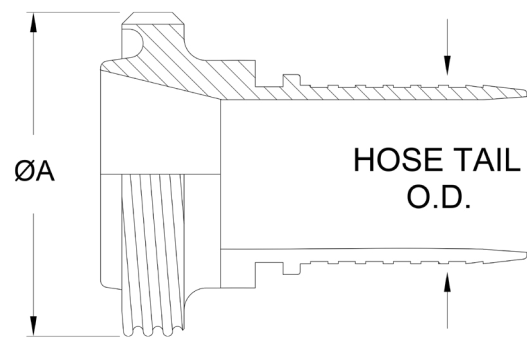
IND-7410 Series

## Sanitary Fittings Identification

RJT or Round Joint Thread is a Hygienic thread system made to BS1864. The RJT range are available in sizes ranging from 1-4" and all our RJT fittings are made in 316L Stainless Steel and are available with full traceability. RJT Fittings can be identified as they use a Slim Hexagonal Nut and an O-Ring Seal



Female Liner x Hose Tail

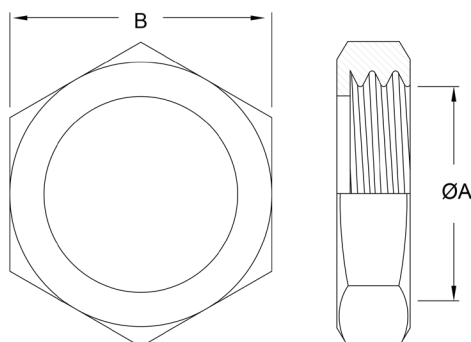


Male x Hose Tail

Hose Tail OD (mm)	ØA Thread OD
25.4	41.4
38.1	54.1
50.8	66.8
63.5	79.5
76.2	92.2
101.6	117.6

Hose Tail OD (mm)	ØA
25.4	45.7
38.1	58.4
50.8	72.6
63.5	85.3
76.2	98.0
101.6	123.4

Hex Nut



Hose Tail OD (mm)	A Thread ID	B Dimension
25.4	42.6	50.8
38.1	55.3	65.0
50.8	68.3	79.2
63.5	81.0	91.9
76.2	93.7	104.6
101.6	119.1	130.0

**Disclaimer**

The information contained in this document is to the best of our knowledge, true and accurate, from sources believed to be reliable, we reserve the right to alter specifications without notice. Since conditions under which the products may be used are beyond our control, our recommendations are made without warranty or guarantee and should only be used as a guide. It is however the responsibility of the user to investigate and understand other pertinent sources of information, to comply with all laws and procedures applicable to the safe handling and use of this product, and to determine the suitability of the product for the intended application or use.