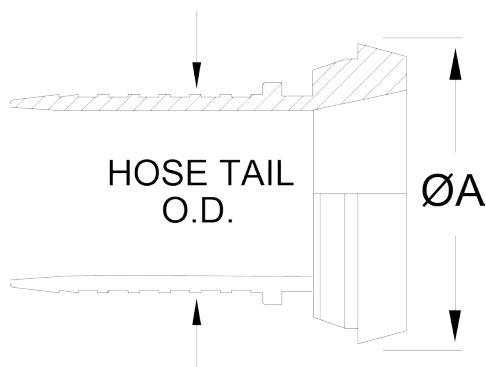


DIN 11851

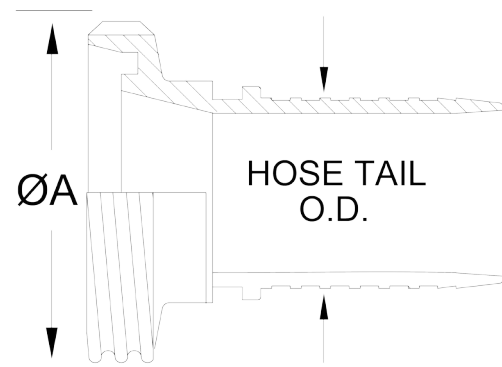
IND-7420 Series

Sanitary Fittings Identification

DIN fittings are made to the European specification of DIN 11851 and are commonly used throughout Europe, Asia & Africa. The DIN range is commonly available in sizes from 1-4" (other sizes are available) and all our DIN fittings are made in 316L Stainless Steel and are available with full traceability. DIN Fittings can be identified as they use a Round four slotted Nut and a D shaped Seal.



Female Liner x Hose Tail

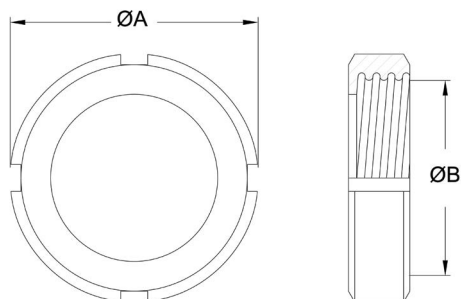


Male x Hose Tail

Hose Tail OD (mm)	ØA
25.4	43.9
38.1	55.8
50.8	68.0
63.5	86.1
76.2	100.0
101.6	120.9

Hose Tail OD (mm)	ØA
25.4	51.8
38.1	65.0
50.8	77.9
63.5	94.9
76.2	109.4
101.6	129.5

Round Nut



Note: Nuts 3" and larger will have 6 slots

Hose Tail OD (mm)	DIN Size	ØA	B Thread ID	Threads Per Inch
25.4	25	62.9	47.7	6
38.1	40	77.9	60.7	6
50.8	50	91.9	73.6	6
63.5	65	112.0	88.6	6
76.2	80	127.0	105.1	4
101.6	100	148.0	125.4	4

Disclaimer

The information contained in this document is to the best of our knowledge, true and accurate, from sources believed to be reliable, we reserve the right to alter specifications without notice. Since conditions under which the products may be used are beyond our control, our recommendations are made without warranty or guarantee and should only be used as a guide. It is however the responsibility of the user to investigate and understand other pertinent sources of information, to comply with all laws and procedures applicable to the safe handling and use of this product, and to determine the suitability of the product for the intended application or use.